

CINEMECCANICA

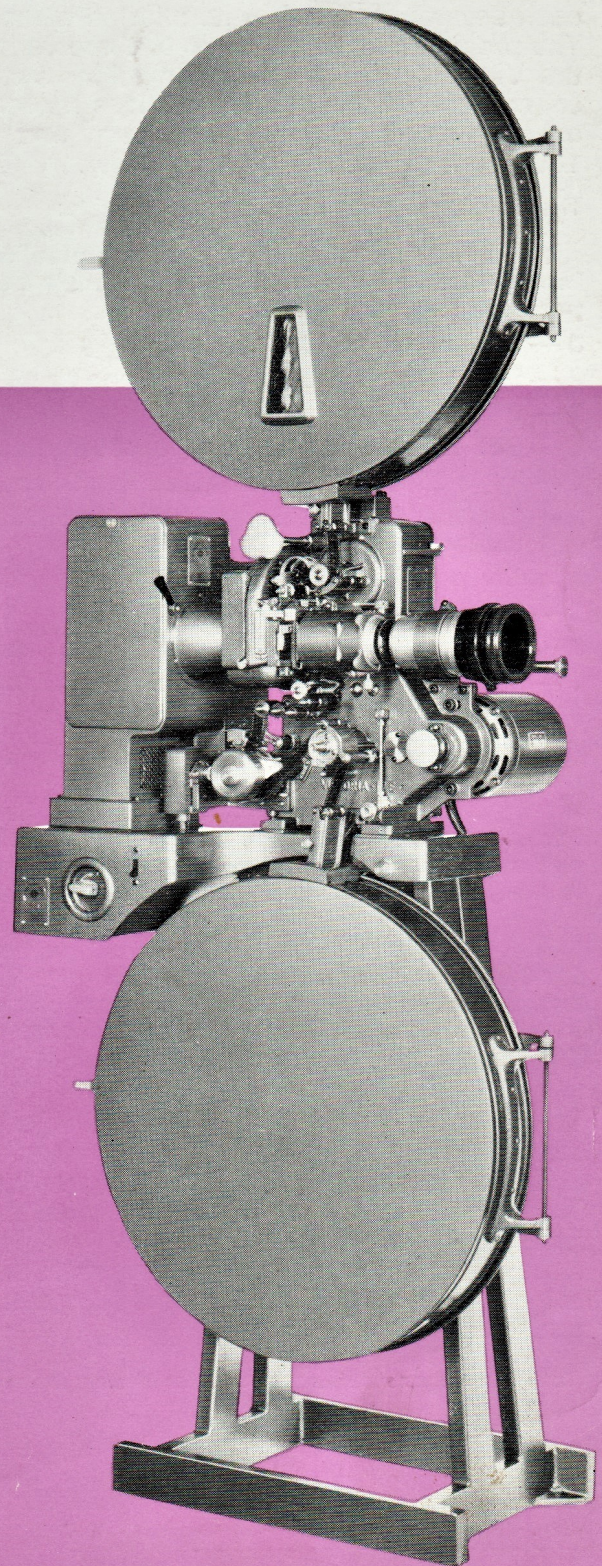
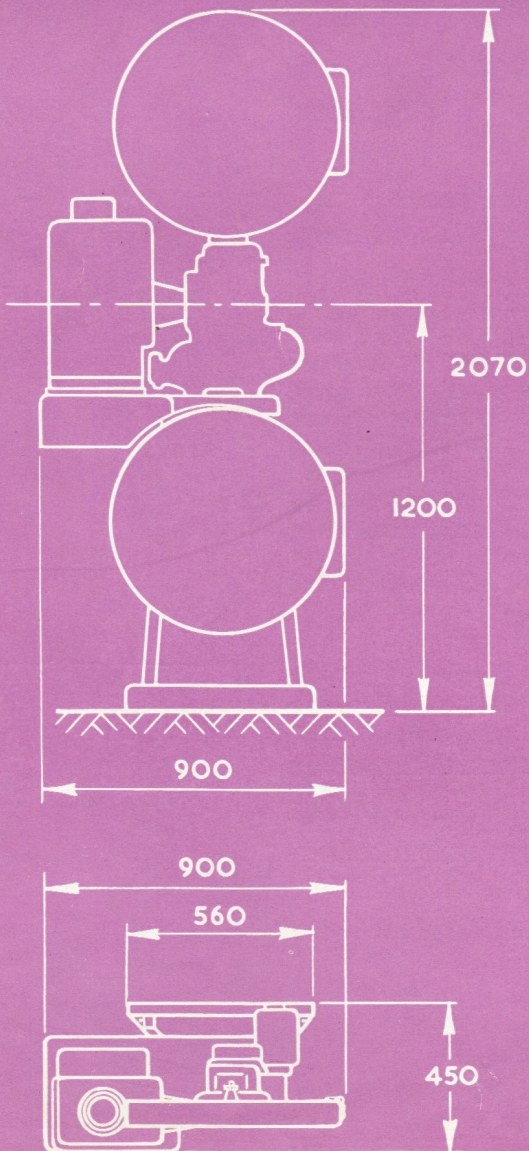
VICTORIA IV/E TRANSPORTABLE 35mm SOUND FILM PROJECTOR

TYPES

IV/Et

IV/Etx 450

IV/Etx 900



(Measurements in millimetres)

CINEMECCANICA

VICTORIA IV/E TRANSPORTABLE 35mm SOUND FILM PROJECTOR

These equipments are all based on the Victoria IV/E projector, which, for portability, is mounted on a fabricated channel design stand, and is arranged for easy assembly. When dismantled, the projector and spoolboxes, spools and rewinder, and associated sound equipment, pack into three stout wooden carrying cases, each securely located in its allotted place.

The projector, which is basic to three variations of lamphouses, is the Victoria IV/E open-type machine with built-in optical track soundhead, 62.5 mm diameter lens holder, single-phase 110-volt or 220-volt driving motor and top and bottom spoolboxes for 1800 metre (5,900 ft.) film capacity.

There are three types of illuminant available:

VICTORIA IV/Et has a lamphouse for 900-watt (30v. 30a.) incandescent lamp, complete with air blower and comprises a portable assembly with:

- 3 — 1350 metre (4,400 ft.) spools
- 2 — 900 metre (3,000 ft.) spools, one fixed, one split
- 1 — film rewinder
- 1 — 62.5-mm projection lens (focal length to be determined)
- 1 — Type C25TPE transistorised amplifier
- 1 — 'Berta E' loudspeaker on baffle with 25 metres (80 ft.) two-core cable
- 20 metres (65 ft.) two-core power supply cable
- 2 — interconnecting cables with plugs
- 3 — carrying storage cases, and fabric container for stand
- 1 — auto-transformer for projection bulb with 5-tap primary, voltmeter and ammeter

Approximate weight: 262 kg. (576 lb.)

VICTORIA IV/Etx 450 has a lamphouse and optical system for 450-watt Xenon bulb, complete with 115-mm diameter mirror, optical diffuser, air blower, ammeter, elapsed time meter (hours in use) and bulb striker unit. Approximate weight: 249 kg. (547 lb.)

VICTORIA IV/Etx 900 has a lamphouse and optical system for 900-watt Xenon bulb, complete with 175-mm diameter mirror, optical diffuser, air blower, ammeter, elapsed time meter (hours in use) and bulb striker unit. Approximate weight: 257 kg. (565 lb.)

The VICTORIA IV/Etx 450 and 900 Xenon equipments are normally supplied with the same amplifier and accessories as the IV/Et equipment, but the auto-transformer for the 900w. incandescent bulb is replaced by a mains rectifier unit for the Xenon bulb.

The Xenon bulb equipments give improved illumination over the incandescent, but the Xenon Rectifier increases the total weight.

Although these equipments are primarily transportable, they provide the basis for preview or lecture theatre and similar auditoria, and will operate with larger amplifier and loudspeaker units.

Note: Illustrations should not be taken as binding: alterations are made as occasion arises.

The Rank Organisation
RANK AUDIO VISUAL

WOODGER ROAD, LONDON, W.12

Leaflet No. Equip 10/65 BT

Printed in England

TYPES

IV/Et

IV/Etx 450

IV/Etx 900

