

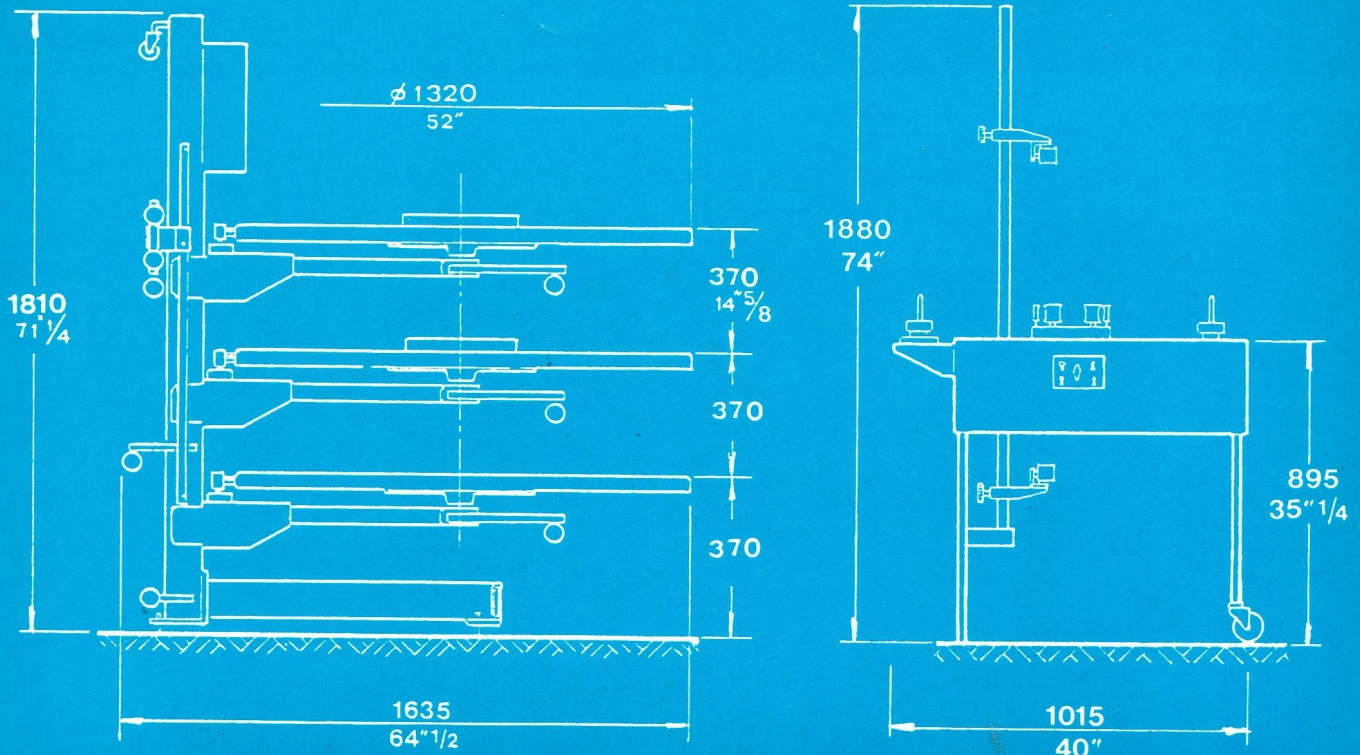


NON REWIND FILM SYSTEM CNR 3-35



CINEMECCANICA S.p.A.-20133 MILANO-VIALE CAMPANIA, 23
Tel. (02) 718941 - Telex 311364 - Telefax (02) 70100470

CINEMECCANICA



NON REWIND FILM SYSTEM CNR 3-35

PLATTERS:

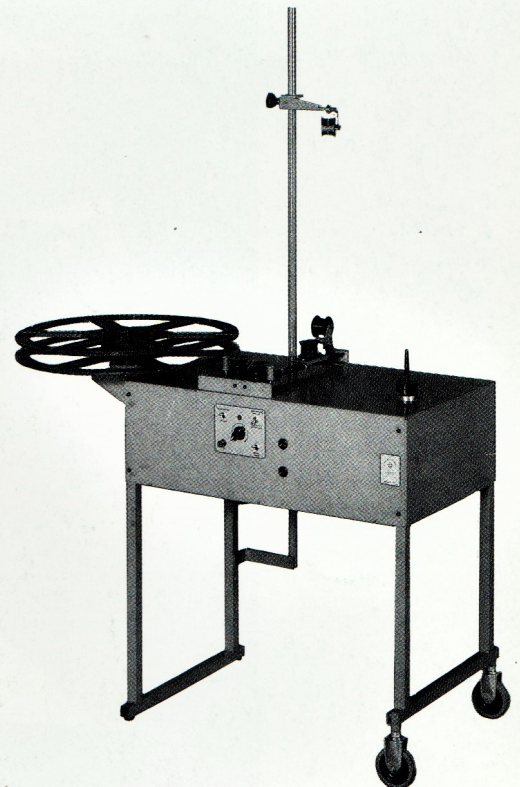
Heavy duty plate and cast center construction - Whole platter easily removable - Perfectly smooth surface for easy film removal.

PAY OUT UNIT:

Easily removable - Proportional electronic speed control - Crown of rollers to take care of film disturbances including sticky layers and bad splices.

Operation:

Totally independent take up and pay out - Completely self-programming - No manual selection is necessary - In a multi theatre the film can be taken up in a unit different from the one which is paying out - Can pay out or take up two films at the same time.



COD. 5090012

DISTRIBUTED BY: