

Rank Film
Equipment

**CINEMECCANICA
VICTORIA 8
PROJECTORS**

**PROFESSIONAL
CINEMA SERVICES**

CINEMECCANICA

VICTORIA 8

PROJECTORS

The Cinemeccanica Victoria 8 projector is available in five basic versions.

VICTORIA 8R

For 35mm optical film only.

VICTORIA 8-Convertible

Basic 35mm optical model but can be converted to 70mm use at a later date.

VICTORIA 8- 70/35

Dual gauge machine for 35mm optical/magnetic or 70mm film.
70mm versions have 24/25 fps facilities as standard.

VICTORIA 8- 4000

4000 metre (13,120-ft) capacity with built-in rewind facility using a separate motor – available with above mechanisms.

VICTORIA 8-MI Reversing

A specially designed version for use in automated pairs. The two linked units provide up to approximately 3 hours 40 minutes programme (each 3,000 metre, 10,000ft capacity) at 24 fps. Each machine rewinds at 32 fps in approximately 1 hour 25 minutes.

Features common to all VICTORIA 8 Models

Large diameter driving sprockets allow low shaft speeds. Lightweight hardened alloy intermittent sprockets overcome inertia and obtain high speed acceleration.

Maximum flickerless light transmission ensured by high efficiency conical shutter operating immediately behind the aperture plate.

Independently powered cooling fan maintains low gate temperature, and the gate is channelled for a water cooling system as standard. Recirculators can be supplied for this purpose.

Automatic lubrication to all bearings and gears from gear driven high pressure oil pump.

Dashpot damper on optical and magnetic soundhead ensures minimum flutter.

Heavy pedestal stand adjustable to projection angles 5° positive to 18° negative.

The Victoria 8 machines can be supplied as open or enclosed versions though a lens turret is not available on enclosed models.

Choice of single lens holder or manual 3 lens turret, NOTE: 4 inch (101.6mm) lenses for 70mm cannot be used with machines fitted with turret.

Optional features available

Automatic three-lens turret with automatic mask plate change.

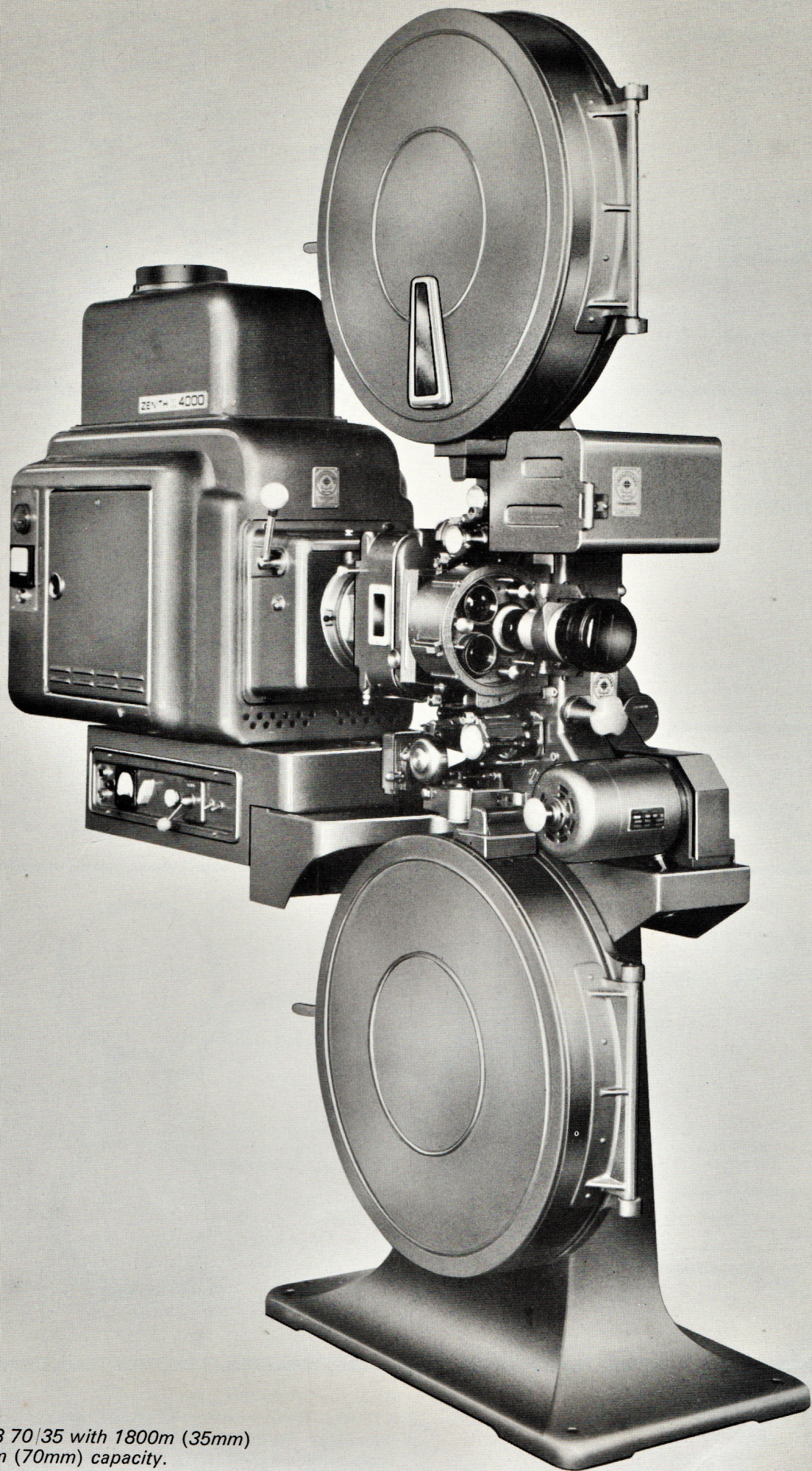
Remote focusing

Remote framing.

Remote volume control

Solenoid changeover.

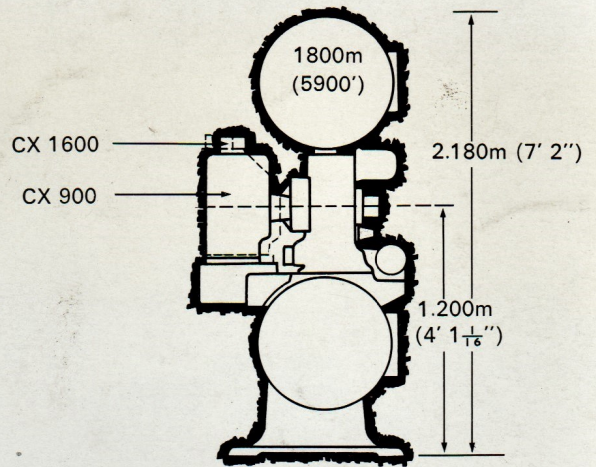
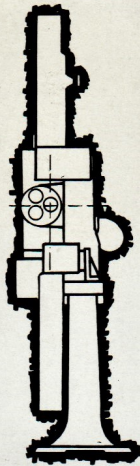
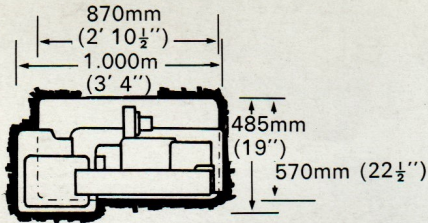
Automation systems.



*Victoria 8 70/35 with 1800m (35mm)
or 1100m (70mm) capacity.*

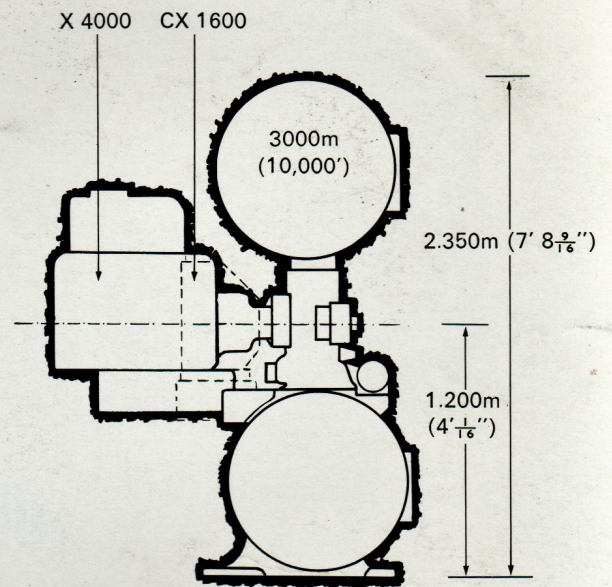
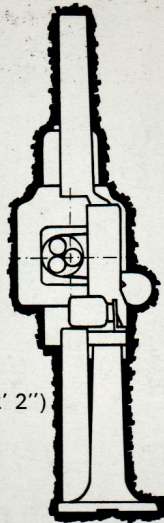
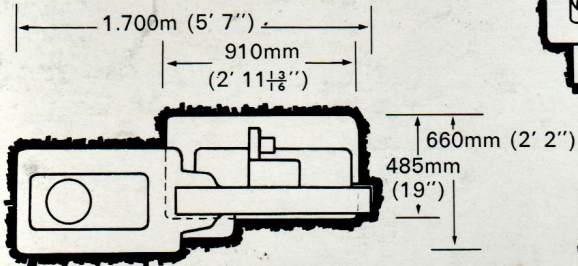
Dimensions

1800m (5900ft) capacity



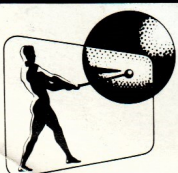
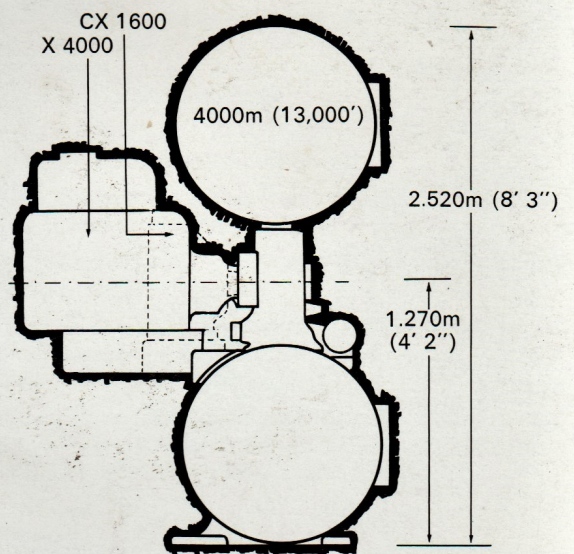
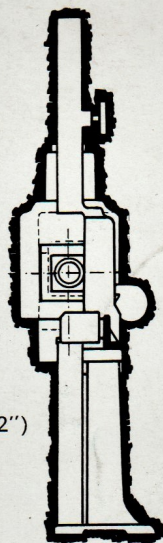
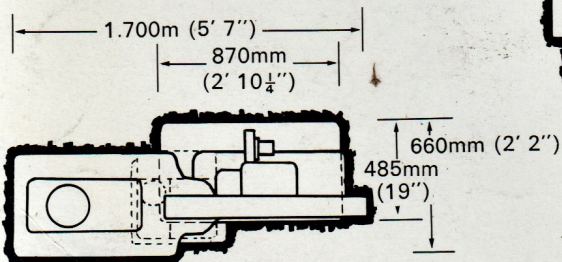
Dimensions

3000m (10,000ft) capacity



Dimensions

4000m (13,000ft) capacity



Rank Film
Equipment

Rank Audio Visual Limited
P.O. Box 70, Great West Road, Brentford
Middlesex, TW8 9HR, England.
Telephone: 01-568 9222 Telex: 24408
Cables: Rankaudio, Brentford.